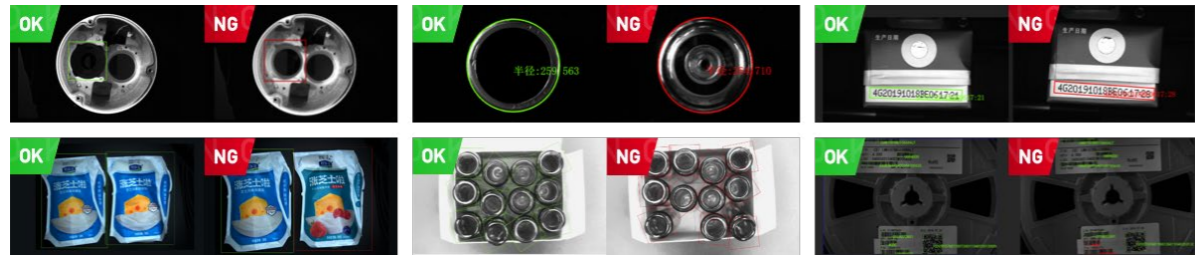
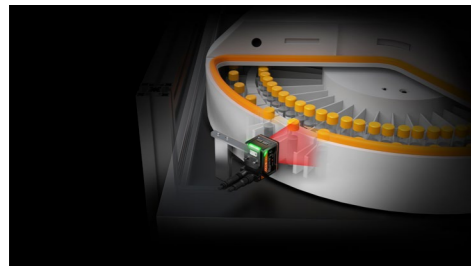


SC3000 Series Vision Sensor

Integrated with imaging, processing and communication functions, the SC3000 series has a more compact size and the vision detection tools lead to better performance. Equipped with a new SCMVS for on-site deployment and lower debugging requirements, bringing a more comprehensive and cost-effective choice for visual inspection!



- Comprehensive Error-proofing Detection Algorithm



- Outgoing right angle design, supporting 180 degree rotation, flexible adaptation to narrow spaces

Specifications

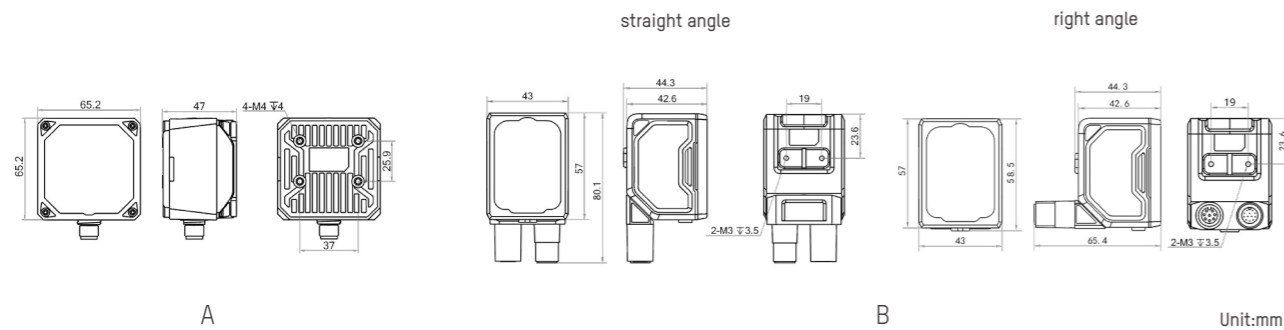


Mode	Vision tool	Pixel size	Sensor size	Resolution	Max. frame rate	Mono/color	Focal length	Label
MV-SC3016M	Count: Pattern count, spot count, edge count Defect detection: Exception detection Existence: Pattern existence, spot existence, edge existence, circle existence, line existence Location: Match location, match calibration, fixture Logic tool: If module, condition judge, logic judge, combination judge, string comparison, calculator Measurement: L2L angle, diameter measurement, brightness analysis, contrast measurement, width measurement, P2L measurement, greyscale size, line angle, edge width measurement Recognition: OCR, code recognition	3.45 μm	1/2.9"	1408 × 1024	60 fps	Mono	6/12.4/14.8 mm	A
MV-SC3016C	Count: Pattern count, spot count, edge count Defect detection: Exception detection Existence: Pattern existence, spot existence, edge existence, circle existence, line existence Location: Match location, match calibration, fixture Logic tool: If module, condition judge, logic judge, combination judge, string comparison, calculator Measurement: Color size, L2L angle, diameter measurement, brightness analysis, contrast measurement, width measurement, P2L measurement, greyscale size, line angle, edge width measurement Recognition: OCR, color contrast, code recognition, color recognition	3.45 μm	1/2.9"	1408 × 1024	60 fps	Color	6/12.4/14.8 mm	A

Mode	Vision tool	Pixel size	Sensor size	Resolution	Max. frame rate	Mono/color	Focal length	Label
MV-SC3050M	Count: Pattern count, spot count, edge count Defect detection: Exception detection Existence: Pattern existence, spot existence, edge existence, circle existence, line existence Location: Match location, match calibration, fixture Logic tool: If module, condition judge, logic judge, combination judge, string comparison, calculator Measurement: L2L angle, diameter measurement, brightness analysis, contrast measurement, width measurement, P2L measurement, greyscale size, line angle, edge width measurement Recognition: OCR, code recognition	3.2 μm	1/1.7"	2368 × 1760	30 fps	Mono	8/12.4/16 mm	A
MV-SC3013XM	Count: Pattern count, spot count, edge count, outline count Defect detection: Exception detection Existence: Pattern existence, spot existence, edge existence, circle existence, line existence, outline existence Location: Match location, match calibration, fixture Logic tool: If module, condition judge, logic judge, combination judge, string comparison, calculator Measurement: L2L angle, diameter measurement, brightness analysis, contrast measurement, width measurement, P2L measurement, greyscale size, line angle, edge width measurement Recognition: OCR, code recognition Deep learning: object detection, classification	6.9 μm	1/1.45"	1216 × 1024	60 fps	Mono	8/12/16 mm	B
MV-SC3013XC	Count: Pattern count, spot count, edge count, outline count, color count Defect detection: Exception detection Existence: Pattern existence, spot existence, edge existence, circle existence, line existence, outline existence Location: Match location, match calibration, fixture Logic tool: If module, condition judge, logic judge, combination judge, string comparison, calculator Measurement: L2L angle, diameter measurement, brightness analysis, contrast measurement, width measurement, P2L measurement, greyscale size, line angle, edge width measurement Recognition: OCR, code recognition, color contrast, color recognition Deep learning: object detection, classification	6.9 μm	1/1.45"	1216 × 1024	60 fps	Color	8/12/16 mm	B
MV-SC3030XM	Count: Pattern count, spot count, edge count, outline count Defect detection: Exception detection Existence: Pattern existence, spot existence, edge existence, circle existence, line existence, outline existence Location: Match location, match calibration, fixture Logic tool: If module, condition judge, logic judge, combination judge, string comparison, calculator Measurement: L2L angle, diameter measurement, brightness analysis, contrast measurement, width measurement, P2L measurement, greyscale size, line angle, edge width measurement Recognition: OCR, code recognition Deep learning: object detection, classification	3.45 μm	1/1.8"	2048 × 1536	40 fps	Mono	8/12/16 mm	B

Mode	Vision tool	Pixel size	Sensor size	Resolution	Max. frame rate	Mono/color	Focal length	Label
MV-SC3030XC	Count: Pattern count, spot count, edge count, outline count, color count Defect detection: Exception detection Existence: Pattern existence, spot existence, edge existence, circle existence, line existence, outline existence Location: Match location, match calibration, fixture Logic tool: If module, condition judge, logic judge, combination judge, string comparison, calculator Measurement: L2L angle, diameter measurement, brightness analysis, contrast measurement, width measurement, P2L measurement, greyscale size, line angle, edge width measurement Recognition: OCR, code recognition, color contrast, color recognition Deep learning: object detection, classification	3.45 μm	1/1.8"	2048 × 1536	40 fps	Color	8/12/16 mm	B
MV-SC3050XM	Count: Pattern count, spot count, edge count, outline count Defect detection: Exception detection Existence: Pattern existence, spot existence, edge existence, circle existence, line existence, outline existence Location: Match location, match calibration, fixture Logic tool: If module, condition judge, logic judge, combination judge, string comparison, calculator Measurement: L2L angle, diameter measurement, brightness analysis, contrast measurement, width measurement, P2L measurement, greyscale size, line angle, edge width measurement Recognition: OCR, code recognition Deep learning: object detection, classification	3.45 μm	1/1.45"	2448 × 2048	30 fps	Mono	8/12/16 mm	B
MV-SC3050XC	Count: Pattern count, spot count, edge count, outline count, color count Defect detection: Exception detection Existence: Pattern existence, spot existence, edge existence, circle existence, line existence, outline existence Location: Match location, match calibration, fixture Logic tool: If module, condition judge, logic judge, combination judge, string comparison, calculator Measurement: L2L angle, diameter measurement, brightness analysis, contrast measurement, width measurement, P2L measurement, greyscale size, line angle, edge width measurement Recognition: OCR, code recognition, color contrast, color recognition Deep learning: object detection, classification	3.45 μm	1/1.45"	2448 × 2048	30 fps	Color	8/12/16 mm	B

Dimension



Accessories

Adapt to SC3000M model



I/O Power Cables	Standard	High Softness	Elbow
3m	MV-IDA-PE-M12A17pF-opensRJ45DB9-ST-3m	MV-IDA-PE-M12A17pF-opensRJ45DB9-HF-3m	MV-ACPE-M12A17F(back)-OPEN/RJ45-FL-3m
5m	MV-IDA-PE-M12A17pF-opensRJ45DB9-ST-5m	MV-IDA-PE-M12A17pF-RJ45M/DB9/Opens-SF-5m	--
10m	MV-IDA-PE-M12A17pF-opensRJ45DB9-ST-10m	MV-IDA-PE-M12A17pF-open/RJ45/DB9-HF-10m	--
15m	MV-IDA-PE-M12A17pF-opensRJ45DB9-ST-15m	MV-IDA-PE-M12A17pF-opensRJ45DB9-HF-15m	--

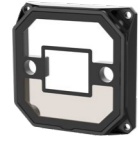


Gigabit Network Cable	Standard	High Softness	Elbow
1m	MV-ACG-RJ45s-RJ45-ST-1m	--	--
3m	MV-ACG-RJ45s-RJ45-ST-3m	MV-ACG-RJ45s-RJ45-HF-3m	MV-ACG-RJ45s(up)-RJ45-ST-3m
5m	MV-ACG-RJ45s-RJ45-ST-5m	MV-ACG-RJ45s-RJ45-HF-5m	MV-ACG-RJ45s(up)-RJ45-ST-5m
7m	MV-ACG-RJ45s-RJ45-ST-7m	MV-ACG-RJ45s-RJ45-HF-7m	--
10m	MV-ACG-RJ45s-RJ45-ST-10m	MV-ACG-RJ45s-RJ45-HF-10m	--
15m	MV-ACG-RJ45s-RJ45-ST-15m	MV-ACG-RJ45s-RJ45-HF-15m	MV-ACG-RJ45s(up)-RJ45-ST-15m
30m	MV-ACG-RJ45s-RJ45-ST-30m	MV-ACG-RJ45s-RJ45-HF-30m	--



Power Supply	Two Wire Adapter	Desktop Two Wire Adapter	Switching Power Supply
Model	ADS-26FSG-12 12024EPCN	KPL-060M-VI	LRS-150F-24

Lens	SC3013	SC3050
6mm	BTY0640-MP	--
8mm	--	BHYB0856-12S
12mm	BTS1240-MP	BHP1256-12S
15mm	BTS1540-01S	--
16mm	--	BHP1656-12S
25mm	--	BHP2556-12S



Lens Cap	Model
Transparent	MV-SC3000-C-NN
Semi-polarization	MV-SC3000-C-HP
Polarization	MV-SC3000-C-FP
Magnifier	MV-IDA-C-Y-62-62-M1
	MV-IDA-C-Y-62-62-M2

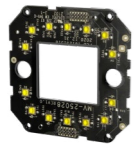


Display Equipment	Model
Expansion Box	MV-SV100
	MV-SV400
Touch Screen	MV-VT1010-008G50
	MV-VT3000-128G40

Adapt to SC3000X model



I/O Power Cables	Standard	High Softness	Elbow
3m	MV-IDA-P-M12A12pF-open-ST-3m	MV-IDA-P-M12A12pF-open-HF-3m	---
5m	MV-IDA-P-M12A12pF-open-ST-5m	MV-IDA-P-M12A12pF-open-HF-5m	MV-ACP-M12A12pF (up)-open-ST-5m
7m	MV-IDA-P-M12A12pF-open-ST-7m	---	---
10m	MV-IDA-P-M12A12pF-open-ST-10m	MV-IDA-P-M12A12pF-open-HF-10m	---
15m	MV-IDA-P-M12A12pF-open-ST-15m	---	---
20m	---	MV-IDA-P-M12A12pF-open-HF-20m	---
30m	MV-IDA-P-M12A12pF-open-ST-30m	---	---



Light source	Model
White	MV-SC3000-L-WB
Blue	MV-SC3000-L-BB
Red	MV-SC3000-L-RB
Near-infrared	MV-SC3000-L-IB



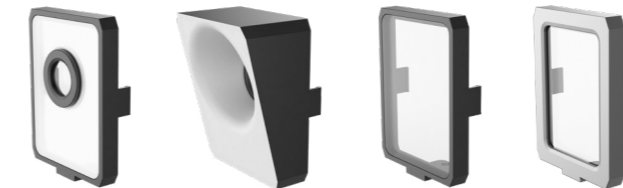
Mounting Component	Model
Standard	V020-Mounting Component



Gigabit Network Cable	Standard	High Softness	Elbow
3m	MV-IDA-E-M12A8pF-RJ45-ST-3m	MV-IDA-E-M12A8pF-RJ45-HF-3m	---
5m	MV-IDA-E-M12A8pF-RJ45-ST-5m	MV-IDA-E-M12A8pF-RJ45-HF-5m	MV-ACE-M12A8Pm (UP)-RJ45-C5e-5m
7m	MV-IDA-E-M12A8pF-RJ45-ST-7m	---	---
10m	MV-IDA-E-M12A8pF-RJ45-ST-10m	MV-IDA-E-M12A8pF-RJ45-HF-10m	---
15m	MV-IDA-E-M12A8pF-RJ45-ST-15m	---	---
20m	---	MV-IDA-E-M12A8pF-RJ45-HF-20m	---
30m	MV-IDA-E-M12A8pF-RJ45-ST-30m	---	---



I/O Box	Model
Standard	MV-IDA-IO-33



Lens Cap	Model
SC3000X	Magnifier
	Uniform light cover
	YAG guard
	ESD guard