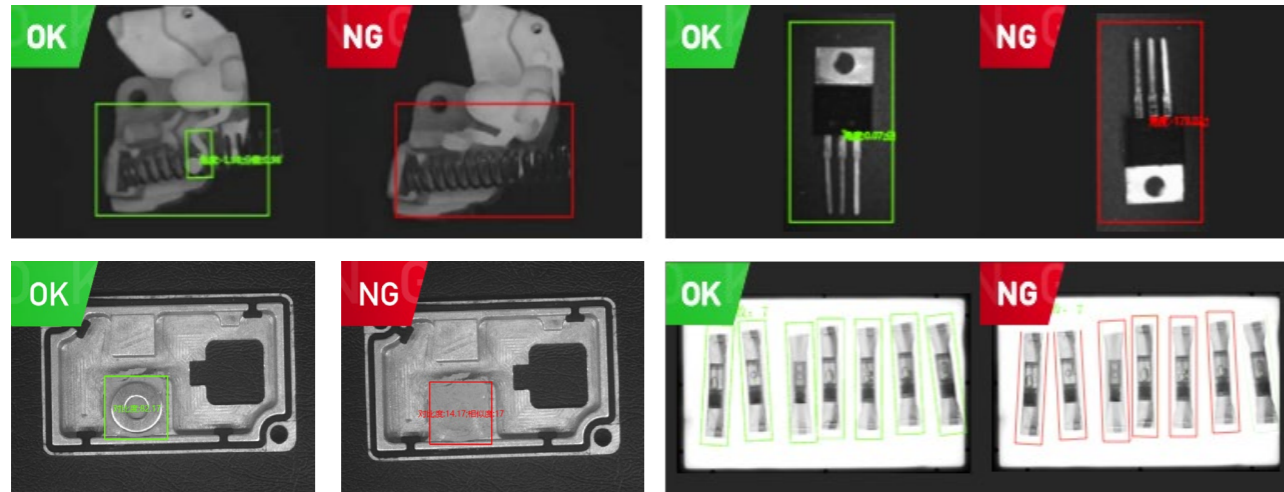


Smart Camera

SC2000E Series Vision Sensor

SC2000E Series Vision Sensor integrates full functions of a vision system: lighting, acquisition, processing, and communication in minimal fuselage. Bring new choices for Y/N, P/N verifications with excellent performance in error-proofing detection scenarios.



- Comprehensive Error-proofing Detection Algorithm



- Ultra-compact size



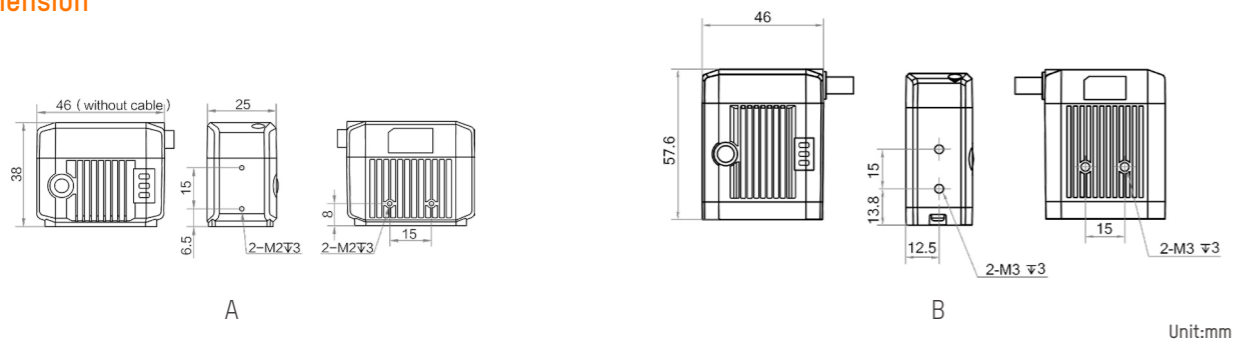
Specifications



Model	Vision tool	Pixel size	Sensor size	Resolution	Max. frame rate	Mono/color	Focal length	Label
MV-SC2004EM(Mini)	Defect: OL classification Whether or not: circles, lines, spots, edges, patterns Positioning: Position correction Logic: condition judgment, logic judgment, character comparison, variable calculation Measurement: line Angle, diameter measurement, brightness mean, contrast measurement, width measurement, point line measurement, gray area, straight line Angle, pitch detection Recognition: Character recognition	6.9 μm	1/2.9"	704 × 540	60 fps	Mono	6.72 mm	A
MV-SC2016EM(Mini)	Defect: OL classification Whether or not: circles, lines, spots, edges, patterns Positioning: Position correction Logic: condition judgment, logic judgment, character comparison, variable calculation Measurement: line Angle, diameter measurement, brightness mean, contrast measurement, width measurement, point line measurement, gray area, straight line Angle, pitch detection Recognition: Character recognition	3.45 μm	1/2.9"	1408 × 1024	60 fps	Mono	6.72 mm	A
MV-SC2004EM	Defect: OL classification Whether or not: circles, lines, spots, edges, patterns Positioning: Position correction Logic: condition judgment, logic judgment, character comparison, variable calculation Measurement: line Angle, diameter measurement, brightness mean, contrast measurement, width measurement, point line measurement, gray area, straight line Angle, pitch detection Recognition: Character recognition	6.9 μm	1/2.9"	704 × 540	60 fps	Mono	8/12.4/14.8mm	B
MV-SC2004EC	Count: spot count, edge count, pattern count Defect: OL classification Whether or not: circles, lines, spots, edges, patterns Positioning: Position correction Logic: condition judgment, logic judgment, character comparison, variable calculation Measurement: line Angle, diameter measurement, brightness mean, contrast measurement, width measurement, point and line measurement, gray area, straight line Angle, pitch detection, color area Recognition: character recognition, color comparison	6.9 μm	1/2.9"	704 × 540	60 fps	Color	8/12.4/14.8mm	B

Model	Vision tool	Pixel size	Sensor size	Resolution	Max. frame rate	Mono/color	Focal length	Label
MV-SC2016EM	Defect: OL classification Whether or not: circles, lines, spots, edges, patterns Positioning: Position correction Logic: condition judgment, logic judgment, character comparison, variable calculation Measurement: line Angle, diameter measurement, brightness mean, contrast measurement, width measurement, point line measurement, gray area, straight line Angle, pitch detection Recognition: Character recognition	3.45 μm	1/2.9"	1408 × 1024	60 fps	Mono	8/12.4/14.8mm	B
MV-SC2016EC	Count: spot count, edge count, pattern count Defect: OL classification Whether or not: circles, lines, spots, edges, patterns Positioning: Position correction Logic: condition judgment, logic judgment, character comparison, variable calculation Measurement: line Angle, diameter measurement, brightness mean, contrast measurement, width measurement, point and line measurement, gray area, straight line Angle, pitch detection, color area Recognition: character recognition, color comparison	3.45 μm	1/2.9"	1408 × 1024	60 fps	Color	8/12.4/14.8mm	B

Dimension

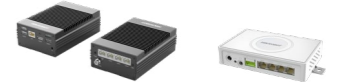


Accessories



I/O Power Cables	Standard	High Softness	Elbow
3m	MV-IDA-PE-M12A17pF-opensRJ45DB9-ST-3m	MV-IDA-PE-M12A17pF-opensRJ45DB9-HF-3m	MV-ACPE-M12A17F(back)-OPEN/RJ45-FL-3m
5m	MV-IDA-PE-M12A17pF-opensRJ45DB9-ST-5m	MV-IDA-PE-M12A17pF-RJ45M/DB9/0pens-SF-5m	--
10m	MV-IDA-PE-M12A17pF-opensRJ45DB9-ST-10m	MV-IDA-PE-M12A17pF-open/RJ45/DB9-HF-10m	--
15m	MV-IDA-PE-M12A17pF-opensRJ45DB9-ST-15m	MV-IDA-PE-M12A17pF-opensRJ45DB9-HF-15m	--

I/O Power Cables	Standard	High Softness	Elbow
1m	MV-ACG-RJ45s-RJ45-ST-1m	--	--
3m	MV-ACG-RJ45s-RJ45-ST-3m	MV-ACG-RJ45s-RJ45-HF-3m	MV-ACG-RJ45s(up)-RJ45-ST-3m
5m	MV-ACG-RJ45s-RJ45-ST-5m	MV-ACG-RJ45s-RJ45-HF-5m	MV-ACG-RJ45s(up)-RJ45-ST-5m
7m	MV-ACG-RJ45s-RJ45-ST-7m	MV-ACG-RJ45s-RJ45-HF-7m	--
10m	MV-ACG-RJ45s-RJ45-ST-10m	MV-ACG-RJ45s-RJ45-HF-10m	--
15m	MV-ACG-RJ45s-RJ45-ST-15m	MV-ACG-RJ45s-RJ45-HF-15m	MV-ACG-RJ45s(up)-RJ45-ST-15m
30m	MV-ACG-RJ45s-RJ45-ST-30m	MV-ACG-RJ45s-RJ45-HF-30m	--



Power Supply	Two Wire Adapter	Desktop Two Wire Adapter	Switching Power Supply
Model	ADS-26FSG-1212024EPCN	KPL-060M-VI	LRS-150F-24

Display Equipment	Model
Expansion Box	MV-SV100 MV-SV400
Touch Screen	MV-VT1010-008650 MV-VT3000-128640



Mounting Component	Model
Standard	SC2000E Mounting Plate

IO Box	Model
Standard	MV-IDA-IO-33