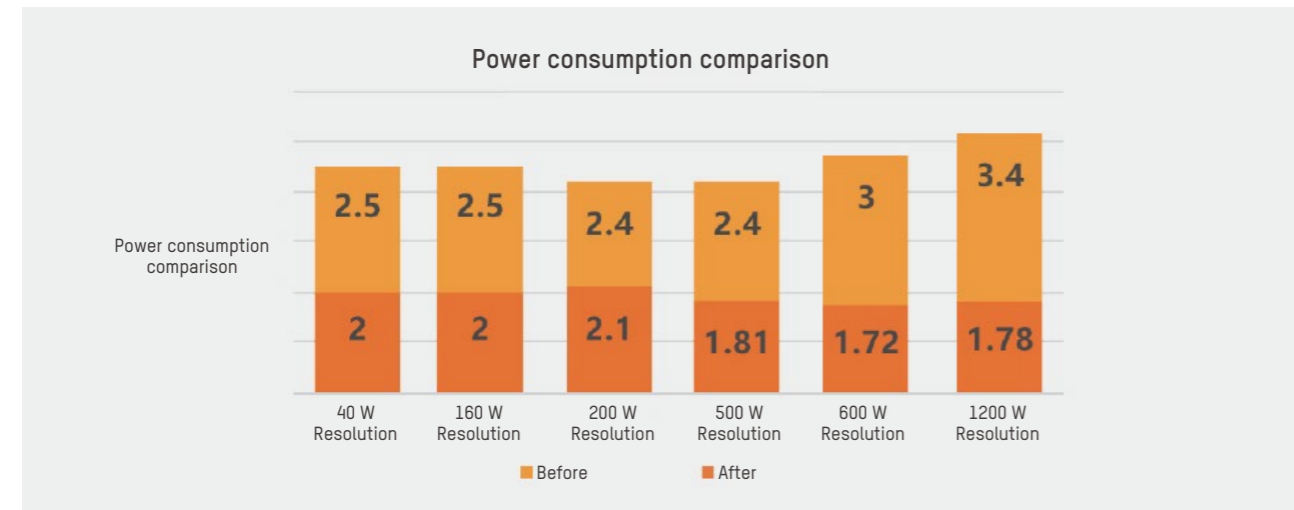
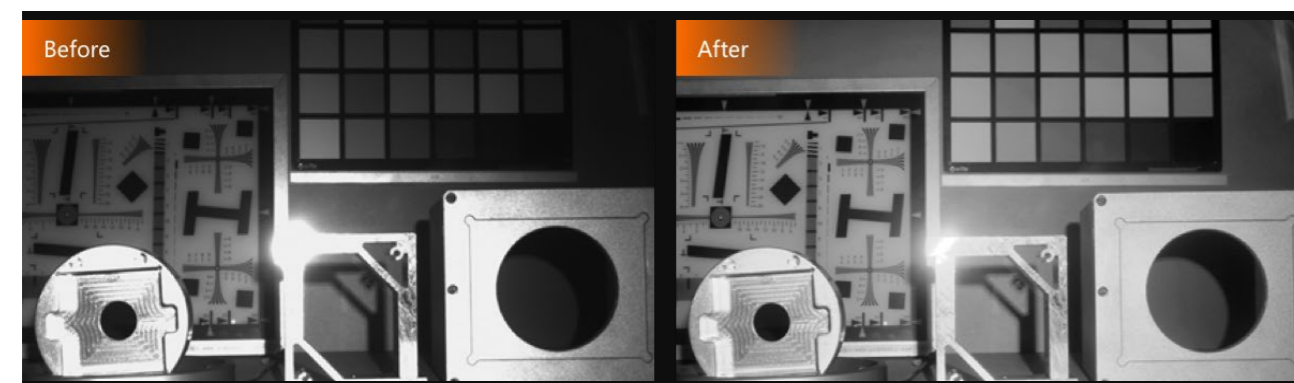


## CU Series Universal Industrial Camera

The CU series is designed with low power-consuming platform and stable performance, which creates a universal industrial camera product that satisfies the requirements for stability and necessary functions, helping users to obtain vision applications more easily.



Ultra-low power supply, stable performance



Built-in image preprocessing

## CU Series GigE Area Scan Camera



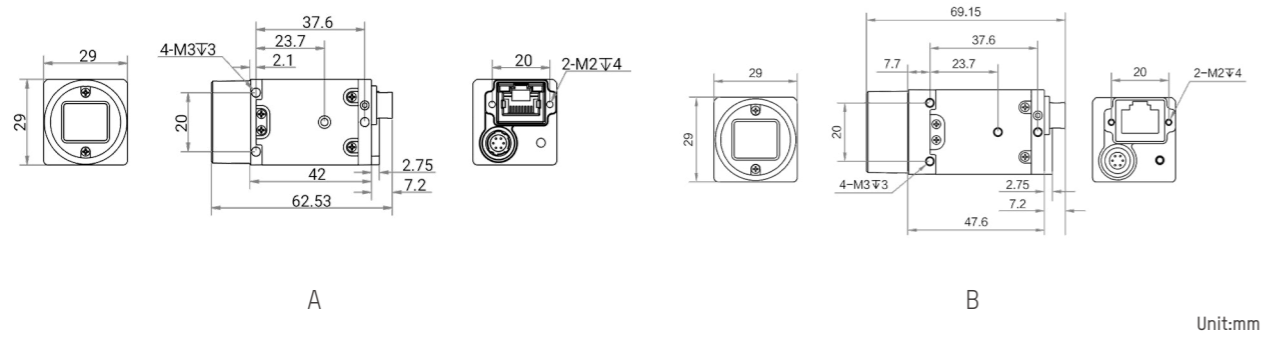
### Specifications

Model	Sensor model	Sensor size	Pixel size	Shutter mode	Resolution	Max. frame rate	Exposure time	Power consumption	Label
MV-CU004-106M	IMX297	1/2.9"	6.9 μm	Global	720 × 540	126.5 fps	USE: 1 μs-14 μs NE: 15 μs-10 sec	Typ. 2 W@12 VDC	A
MV-CU004-106C	IMX297	1/2.9"	6.9 μm	Global	720 × 540	126.5 fps	USE: 1 μs-14 μs NE: 15 μs-10 sec	Typ. 2 W@12 VDC	A
MV-CU013-806M	SS	1/2.7"	4.0 μm	Global	1280 × 1024	89.9 fps	NE: 31 μs-1 sec	Typ. 1.9 W@12 VDC	A
MV-CU013-806C	SS	1/2.7"	4.0 μm	Global	1280 × 1024	89.9 fps	NE: 31 μs-1 sec	Typ. 1.9 W@12 VDC	A
MV-CU013-A06M	HK	1/2"	4.8 μm	Global	1280 × 1024	91.3 fps	NE: 10 μs-10 sec	Typ. 1.8 W@12 VDC	A
MV-CU013-A06C	HK	1/2"	4.8 μm	Global	1280 × 1024	91.3 fps	NE: 10 μs-10 sec	Typ. 1.8 W@12 VDC	A
MV-CU016-106M	IMX296	1/2.9"	3.45 μm	Global	1440 × 1080	65.8 fps	USE: 1 μs-14 μs NE: 15 μs-10 sec	Typ. 2 W@12 VDC	A
MV-CU016-106C	IMX296	1/2.9"	3.45 μm	Global	1440 × 1080	65.8 fps	USE: 1 μs-14 μs NE: 15 μs-10 sec	Typ. 2 W@12 VDC	A
MV-CU020-196M	IMX290	1/2.8"	2.9 μm	Rolling	1920 × 1080	56 fps	NE: 64 μs-130 ms	Typ. 2.1 W@12 VDC	A
MV-CU020-196C	IMX290	1/2.8"	2.9 μm	Rolling	1920 × 1080	56 fps	NE: 128 μs-260 ms	Typ. 2.1 W@12 VDC	A
MV-CU020-806M *	SC235	1/2.6"	3.45 μm	Global	1600×1200	51 fps	NE: 24 μs-2.5 sec	Typ. 2.5 W@12 VDC	A
MV-CU020-806C *	SC235	1/2.6"	3.45 μm	Global	1600×1200	51 fps	NE: 24 μs-2.5 sec	Typ. 2.5 W@12 VDC	A
MV-CU020-906M	GMAX4002	1/1.7"	4 μm	Global	2048 × 1200	49 fps	NE: 4 us-10 sec	Typ. 1.9 W@12 VDC	A
MV-CU020-906C	GMAX4002	1/1.7"	4 μm	Global	2048 × 1200	49 fps	NE: 4 us-10 sec	Typ. 2 W@12 VDC	A
MV-CU050-306M	AR0521	1/2.5"	2.2 μm	Rolling	2592 × 1944	24 fps	NE: 21 μs-1 sec	Typ. 1.81 W@12 VDC	A
MV-CU050-306C	AR0521	1/2.5"	2.2 μm	Rolling	2592 × 1944	24 fps	NE: 21 μs-1 sec	Typ. 1.81 W@12 VDC	A
MV-CU050-606M	HK	1/2.5"	2.2 μm	Rolling	2592 × 1944	23.1 fps	NE: 24 μs-2.5 sec	Typ. 2.5 W@12 VDC	A
MV-CU050-906M	GMAX2505	1/2"	2.5 μm	Global	2600 × 2160	21 fps	NE: 3 μs-10 sec	Typ. 2.3 W@12 VDC	B
MV-CU050-906C	GMAX2505	1/2"	2.5 μm	Global	2600 × 2160	21 fps	NE: 3 μs-10 sec	Typ. 2.5 W@12 VDC	B

Model	Sensor model	Sensor size	Pixel size	Shutter mode	Resolution	Max. frame rate	Exposure time	Power consumption	Label
MV-CU060-106M	IMX178	1/1.8"	2.4 μm	Rolling	3072 × 2048	19.1 fps	NE: 25 μs-2.5 sec	Typ. 1.7 W@12 VDC	A
MV-CU060-106C	IMX178	1/1.8"	2.4 μm	Rolling	3072 × 2048	19.1 fps	NE: 25 μs-2.5 sec	Typ. 1.72 W@12 VDC	A
MV-CU120-106M	IMX226	1/1.7"	1.85 μm	Rolling	4024 × 3036	9.7 fps	NE: 34 μs-2 sec	Typ. 1.78 W@12 VDC	A
MV-CU120-106C	IMX226	1/1.7"	1.85 μm	Rolling	4024 × 3036	9.7 fps	NE: 34 μs-2 sec	Typ. 1.82 W@12 VDC	A

Notice: \* will be released soon, please consult details with sales representative  
 USE: Ultra-short exposure mode  
 NE: Normal exposure mode

## Dimension



# CU Series USB3.0 Area Scan Camera

## Specifications

Model	Sensor model	Sensor size	Pixel size	Shutter mode	Resolution	Max. frame rate	Exposure time	Power consumption	Label
MV-CU013-80UM	SS	1/2.7"	4.0 μm	Global	1280 × 1024	240 fps	30 μs-1 sec	Typ. 1.7 W@5 VDC	A
MV-CU013-80UC	SS	1/2.7"	4.0 μm	Global	1280 × 1024	240 fps	30 μs-1 sec	Typ. 1.7 W@5 VDC	A
MV-CU013-A0UM	HK	1/2"	4.8 μm	Global	1280 × 1024	201.4 fps	5 μs-10 sec	Typ. 1.79 W@5 VDC	A
MV-CU013-A0UC	HK	1/2"	4.8 μm	Global	1280 × 1024	201.4 fps	5 μs-10 sec	Typ. 1.81 W@5 VDC	A
MV-CU050-60UM	HK	1/2.5"	2.2 μm	Rolling	2592 × 1944	48.2 fps	12 μs-1.25 sec	Typ. 2.7 W@5 VDC	A
MV-CU050-90UM	GMAX2505	1/2"	2.5 μm	Global	2600 × 2160	58.8 fps	3 μs-10 sec	Typ. 2.1 W@5 VDC	B
MV-CU050-90UC	GMAX2505	1/2"	2.5 μm	Global	2600 × 2160	58.8 fps	3 μs-10 sec	Typ. 2.2 W@5 VDC	B
MV-CU060-10UM	IMX178	1/1.8"	2.4 μm	Rolling	3072 × 2048	59.6 fps	8 μs-1 sec	Typ. 1.9 W@5 VDC, USB	A
MV-CU060-10UC	IMX178	1/1.8"	2.4 μm	Rolling	3072 × 2048	59.6 fps	8 μs-1 sec	Typ. 1.9 W@5 VDC, USB	A
MV-CU120-10UM	IMX226	1/1.7"	1.85 μm	Rolling	4024 × 3036	29.2fps	20 μs-0.5 sec	Typ. 1.9 W@5 VDC	A
MV-CU120-10UC	IMX226	1/1.7"	1.85 μm	Rolling	4024 × 3036	29.2fps	20 μs-0.5 sec	Typ. 2.0 W@5 VDC	A

## Dimension

