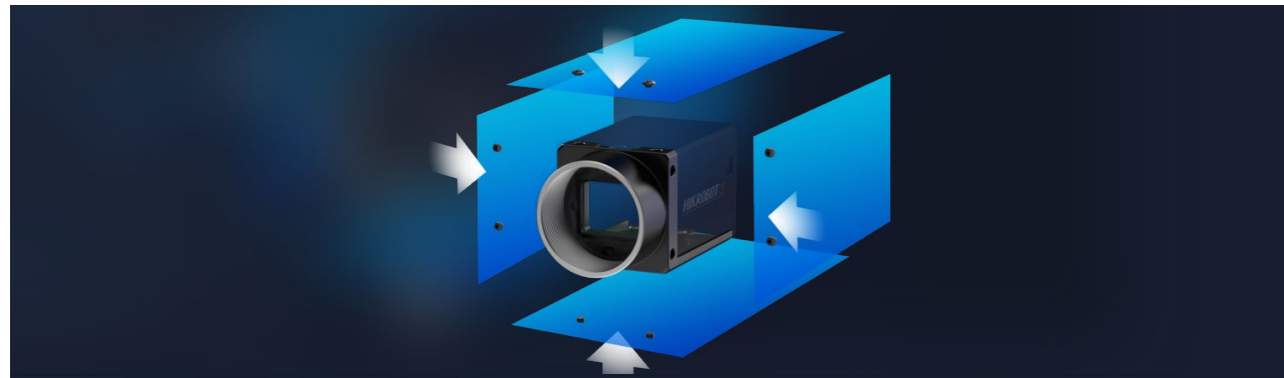


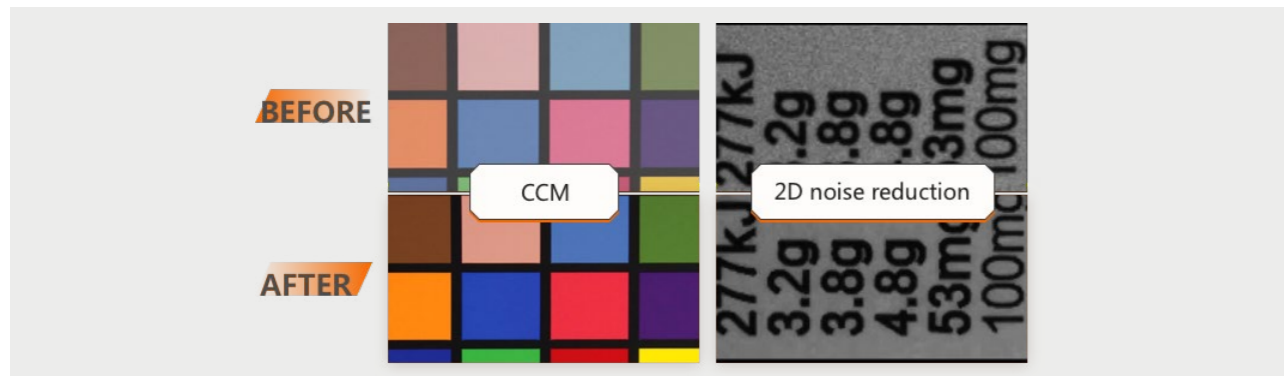
Area Scan Camera

CS Series Area Scan Camera

HIKROBOT released the 2nd generation of CS Series with technological breakthroughs from products appearance design, R&D to production management, which gives an upgraded experience to all end users.



Evolved performance, various scenarios adaptable



Upgraded imaging, built-in algorithms

CS Series GigE Area Scan Camera



Specifications

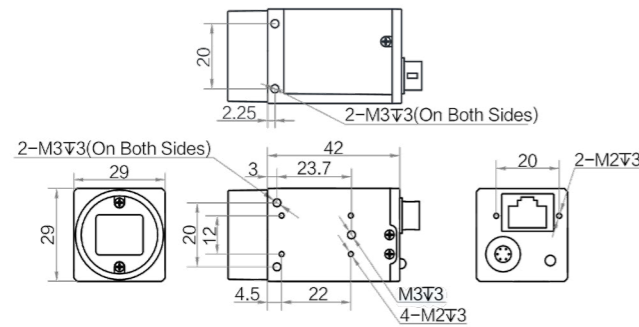
Model	Sensor model	Sensor size	Pixel size	Shutter mode	Resolution	Max. frame rate	Exposure time	Power consumption
MV-CS004-106M	IMX297	1/2.9"	6.9 μm	Global	720 × 540	125.2 fps	USE: 1 μs-14 μs NE: 15 μs-10 sec	Typ. 2.2 W@12 VDC
MV-CS004-106C	IMX297	1/2.9"	6.9 μm	Global	720 × 540	125.2 fps	USE: 1 μs-14 μs NE: 15 μs-10 sec	Typ. 2.5 W@12 VDC
MV-CS004-116M	IMX287	1/2.9"	6.9 μm	Global	720 × 540	312.9 fps	NE: 1 μs-10 sec	Typ. 2.2 W@12 VDC
MV-CS004-116C	IMX287	1/2.9"	6.9 μm	Global	720 × 540	312.9 fps	NE: 1 μs-10 sec	Typ. 2.4 W@12 VDC

Model	Sensor model	Sensor size	Pixel size	Shutter mode	Resolution	Max. frame rate	Exposure time	Power consumption
MV-CS013-606N *	HK	2/3"	6.9 μm	Global	1224 × 1024	60 fps	NE: 5 μs-10 sec	Typ. 2.3 W@12 VDC
MV-CS016-106M	IMX296	1/2.9"	3.45 μm	Global	1440 × 1080	65.2 fps	USE: 1 μs-14 μs NE: 15 μs-10 sec	Typ. 2.4 W@12 VDC
MV-CS016-106C	IMX296	1/2.9"	3.45 μm	Global	1440 × 1080	65.2 fps	USE: 1 μs-14 μs NE: 15 μs-10 sec	Typ. 2.5 W@12 VDC
MV-CS020-106M	IMX430	1/1.7"	4.5 μm	Global	1624 × 1240	60 fps	USE: 1 μs-5 μs NE: 6 μs-10 sec	Typ. 2.8 W@12 VDC
MV-CS020-106C	IMX430	1/1.7"	4.5 μm	Global	1624 × 1240	60 fps	USE: 1 μs-5 μs NE: 6 μs-10 sec	Typ. 3.0 W@12 VDC
MV-CS020-216M	OnSemi	2/3"	4.5 μm	Global	1920 × 1200	51.3 fps	USE: 9 μs-59 μs NE: 60 μs-10 sec	Typ. 2.8 W@12 VDC
MV-CS023-106M	IMX249	1/1.2"	5.86 μm	Global	1920 × 1200	41 fps	NE: 15 μs-10 sec	Typ. 2.2 W@12 VDC
MV-CS023-106C	IMX249	1/1.2"	5.86 μm	Global	1920 × 1200	41 fps	NE: 15 μs-10 sec	Typ. 2.6 W@12 VDC
MV-CS032-106M	IMX265	1/1.8"	3.45 μm	Global	2048 × 1536	38.1 fps	USE: 1 μs-14 μs NE: 15 μs-10 sec	Typ. 2.2 W@12 VDC
MV-CS032-106C	IMX265	1/1.8"	3.45 μm	Global	2048 × 1536	38.1 fps	USE: 1 μs-14 μs NE: 15 μs-10 sec	Typ. 2.4 W@12 VDC
MV-CS050-106M	IMX264	2/3"	3.45 μm	Global	2448 × 2048	24.2 fps	USE: 1 μs-14 μs NE: 15 μs-10 sec	Typ. 2.6 W@12 VDC
MV-CS050-106C	IMX264	2/3"	3.45 μm	Global	2448 × 2048	24.2 fps	USE: 1 μs-14 μs NE: 15 μs-10 sec	Typ. 2.9 W@12 VDC
MV-CS050-106M-PRO	IMX264	2/3"	3.45 μm	Global	2448 × 2048	35.6 fps	USE: 1 μs-14 μs NE: 15 μs-10 sec	Typ. 2.6 W@12 VDC
MV-CS050-106C-PRO	IMX264	2/3"	3.45 μm	Global	2448 × 2048	35.6 fps	USE: 1 μs-14 μs NE: 15 μs-10 sec	Typ. 2.9 W@12 VDC
MV-CS050-206M	XGS5000	2/3"	3.2 μm	Global	2592 × 2048	22.7 fps	USE: 23 μs-99 μs NE: 100 μs-10 sec	Typ. 2.5 W@12 VDC
MV-CS050-206C	XGS5000	2/3"	3.2 μm	Global	2592 × 2048	22.7 fps	USE: 23 μs-99 μs NE: 100 μs-10 sec	Typ. 2.7 W@12 VDC
MV-CS050-606M	HK	2/3"	3.45 μm	Global	2448 × 2048	23 fps	NE: 5 μs-10 sec	Typ. 2.3 W@12 VDC
MV-CS050-606C	HK	2/3"	3.45 μm	Global	2448 × 2048	23 fps	NE: 5 μs-10 sec	Typ. 2.5 W@12 VDC
MV-CS060-106M	IMX178	1/1.8"	2.4 μm	Rolling	3072 × 2048	19.1 fps	NE: 25 μs-2.5 sec	Typ. 2.4 W@12 VDC

Model	Sensor model	Sensor size	Pixel size	Shutter mode	Resolution	Max. frame rate	Exposure time	Power consumption
MV-CS060-106C	IMX178	1/1.8"	2.4 μm	Rolling	3072 × 2048	19.1 fps	NE: 25 μs-2.5 sec	Typ. 2.4 W@12 VDC
MV-CS060-106M-PRO	IMX178	1/1.8"	2.4 μm	Rolling	3072 × 2048	30.7 fps	NE: 25 μs-2.5 sec	Typ. 2.4 W@12 VDC
MV-CS060-106C-PRO	IMX178	1/1.8"	2.4 μm	Rolling	3072 × 2048	30.7 fps	NE: 25 μs-2.5 sec	Typ. 2.5 W@12 VDC
MV-CS200-106M	IMX183	1"	2.4 μm	Rolling	5472 × 3648	5.9 fps	NE: 46 μs-2.5 sec	Typ. 2.4 W@12 VDC
MV-CS200-106C	IMX183	1"	2.4 μm	Rolling	5472 × 3648	5.9 fps	NE: 46 μs-2.5 sec	Typ. 2.5 W@12 VDC

Notice: * will be released soon, please consult details with sales representative
 USE: Ultra-short exposure mode
 NE: Normal exposure mode

Dimension



Unit:mm

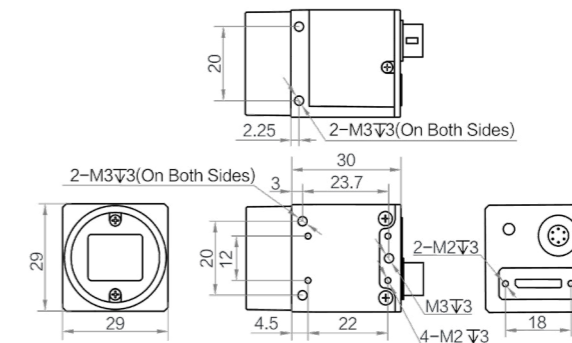
CS Series USB3.0 Area Scan Camera

Specifications

Model	Sensor model	Sensor size	Pixel size	Shutter mode	Resolution	Max. frame rate	Exposure time	Power consumption
MV-CS004-10UM	IMX287	1/2.9"	6.9 μm	Global	720 × 540	526.5 fps	USE: 1 μs-14 μs NE: 15 μs-10 sec	Typ. 2.4 W@5 VDC
MV-CS004-10UC	IMX287	1/2.9"	6.9 μm	Global	720 × 540	526.5 fps	USE: 1 μs-14 μs NE: 15 μs-10 sec	Typ. 2.6 W@5 VDC
MV-CS016-10UM	IMX273	1/2.9"	3.45 μm	Global	1440 × 1080	249.1 fps	USE: 1 μs-14 μs NE: 15 μs-10 sec	Typ. 3.0 W@5 VDC
MV-CS016-10UC	IMX273	1/2.9"	3.45 μm	Global	1440 × 1080	249.1 fps	USE: 1 μs-14 μs NE: 15 μs-10 sec	Typ. 3.3 W@5 VDC
MV-CS020-10UM	IMX430	1/1.7"	4.5 μm	Global	1624 × 1240	90 fps	USE: 1 μs-5 μs NE: 6 μs-10 sec	Typ. 2.3 W@5 VDC
MV-CS020-10UC	IMX430	1/1.7"	4.5 μm	Global	1624 × 1240	90 fps	USE: 1 μs-5 μs NE: 6 μs-10 sec	Typ. 2.4 W@5 VDC
MV-CS028-10UM	IMX421	2/3"	4.5 μm	Global	1936 × 1464	132.2 fps	USE: 1 μs-5 μs NE: 9 μs-10 sec	Typ. 2.8 W@5 VDC
MV-CS040-A0UM	HK	1"	5.5 μm	Global	2048 × 2048	90.1 fps	NE: 30 μs-10 sec	Typ. 2.4 W@5 VDC
MV-CS040-A0UC *	HK	1"	5.5 μm	Global	2048 × 2048	90.1 fps	NE: 30 μs-10 sec	Typ. 2.4 W@5 VDC
MV-CS050-10UM	IMX264	2/3"	3.45 μm	Global	2448 × 2048	90.1 fps	NE: 30 μs-10 sec	Typ. 2.4 W@5 VDC
MV-CS050-10UC	IMX264	2/3"	3.45 μm	Global	2448 × 2048	60 fps	USE: 1 μs-14 μs NE: 15 μs-10 sec	Typ. 2.8 W@5 VDC
MV-CS050-60UM	HK	2/3"	3.45 μm	Global	2448 × 2048	60 fps	NE: 5 μs-10 sec	Typ. 1.7 W@5 VDC
MV-CS050-60UC	HK	2/3"	3.45 μm	Global	2448 × 2048	60 fps	NE: 5 μs-10 sec	Typ. 1.8 W@5 VDC
MV-CS060-10UM-PRO	IMX178	1/1.8"	2.4 μm	Rolling	3072 × 2048	59.6 fps	NE: 32 μs-1 sec	Typ. 2.3 W@5 VDC
MV-CS060-10UC-PRO	IMX178	1/1.8"	2.4 μm	Rolling	3072 × 2048	59.6 fps	NE: 32 μs-1 sec	Typ. 2.5 W@5 VDC
MV-CS200-10UM	IMX183	1"	2.4 μm	Rolling	5472 × 3648	19.2 fps	NE: 44 μs-0.83 sec	Typ. 2.3 W@5 VDC
MV-CS200-10UC	IMX183	1"	2.4 μm	Rolling	5472 × 3648	19.2 fps	NE: 44 μs-0.83 sec	Typ. 2.3 W@5 VDC

Notice: * will be released soon, please consult details with sales representative
 USE: Ultra-short exposure mode
 NE: Normal exposure mode

Dimension



Unit:mm