

## MD810 Series – AC MultiDrives 400 V

### For multi-sectional drives applications

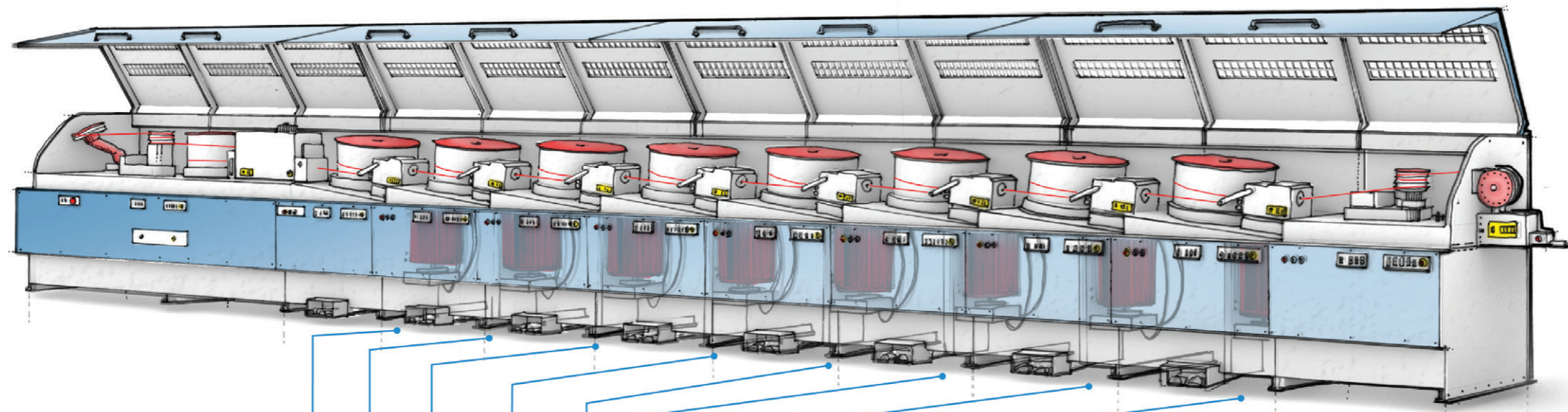
- Open and closed loop control
- For induction and permanent magnet synchronous motors
- Single drive modules: 1.5 to 160 kW
- Dual drive modules: 1.5 to 18.5 kW



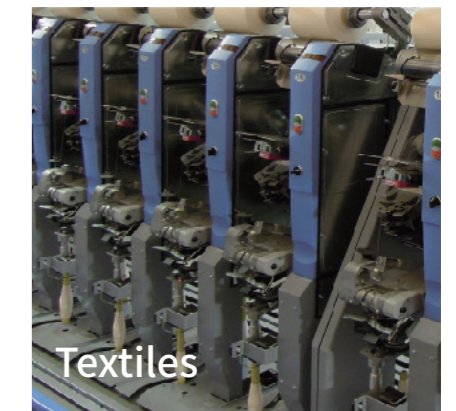
# MD810 features and functions

Designed for sectional applications

MD810 is a modular, scalable, easy-to-use product designed for industrial applications requiring complex multidrive systems.



- ✓ Reduced installation costs
- ✓ Energy saving
- ✓ Functional safety - STO SIL3
- ✓ Easy & flexible integration
- ✓ Multiple control modes
- ✓ Advanced functionality
- ✓ Easy commissioning & maintenance
- ✓ Designed to be durable

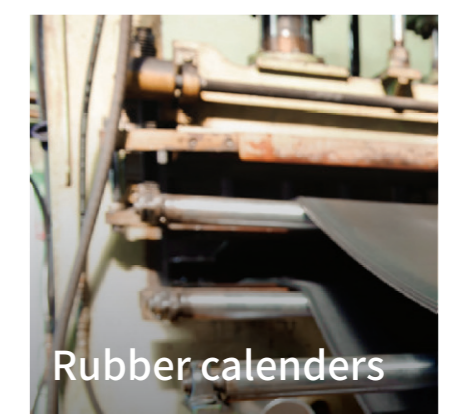
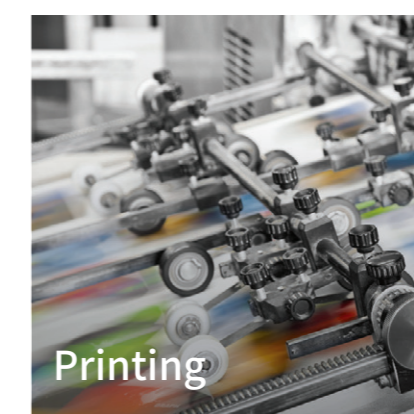


Combined with a common rectifier, MD810 forms a multidrive system for complex sectional machines, such as wire drawing, metal processing, calender, textile and chemical fiber machinery.

MD810 offers a modular design and a common frame size, making it scalable and easy to use.

For machines requiring multi-axes servo control, MD810 was designed to work seamlessly with the IS810 servo drive, which matches the common frame size.

Peer-to-Peer functionality is included on the drive as standard and includes speed/position control, load sharing, droop control, and tension control.



# MD810 features and functions

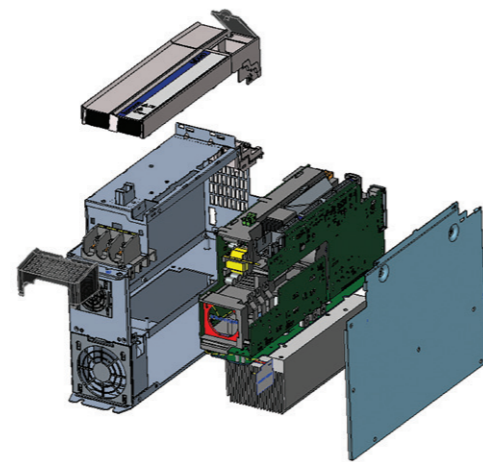
Fast installation and commissioning | Easy maintenance | Durability | Energy savings | Reduced cabinet size | Fewer external components

## Energy savings

- Common DC bus configuration allows sharing of regenerated energy
- Centralized braking design enables braking energy to be reused

## Durability in harsh environments

- Class 3C2 & 3S2 conformal coating
- Separate cooling channel for heatsink prevents dust contamination of internal PCBs
- Applicable ambient temperature range
  - Operation: -10 - 50°C
  - Storage: -25 - 70°C
- Humidity range of 5%-95% (60% in case of corrosive gas)
- Cost-effective, built-in DC reactors for smooth current flow and reduced harmonic distortion
- Overload: 150% (for 60 s); 178% (for 2 s)



MD810 is designed to perform in the harshest of industrial environments

## Easy maintenance

- Common sizes for each power segment enables fewer inventory components to be stored in customer warehouses
- DC soft charge module enables drive to be independently powered on or off
- Built in redundancy: if one rectifier fails, the system can continue operation with reduced capacity (reduced speed and/or load)
- PLC/HMI/drive software configured through the same network for simple maintenance and lower maintenance costs
- Software integrates all steps for commissioning, diagnostics & maintenance

## Reduced cabinet size

- Improved power efficiency results in a smaller cabinet due to reduced rectifier capacity and reduced braking units
- Through-hole mounting further reduces cabinet size/volume
- Compact “2 in 1” dual drive module available for ratings from 1.5 to 18.5 kW



## Fast, easy installation and commissioning

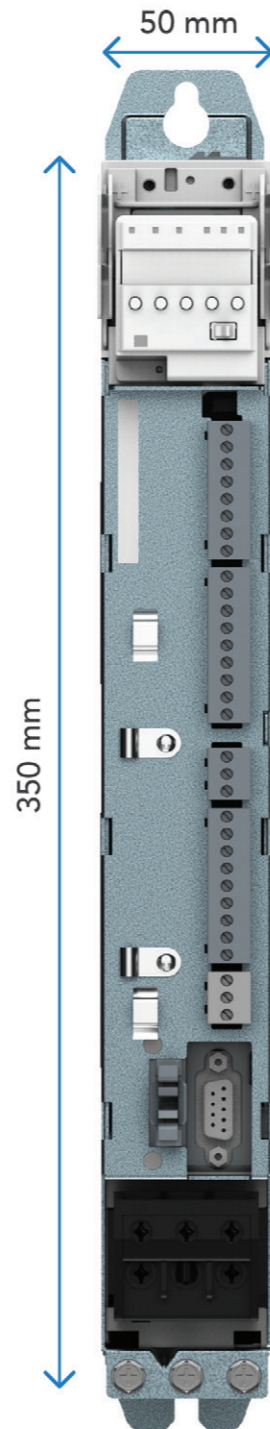
- Simple, plug & play module installation
  - DC bus connection accessible from the front for easy module installation
  - Safe Torque Off (STO) function eliminates need for output contactors
  - Fewer specialist workers required for installation
  - Rapid module replacement when needed
- One-click network connection with InoDriveShop (see p8)
- Optimized wiring and commissioning
  - One PLC connection cable
  - One group of input power cables
  - One remote keypad with one cable connects to multiple drives
- Fewer external components: built-in mini bus bars and common DC bus configuration enables elimination of external supply components (individual protections, braking units and resistors)
- Compatible with open communication fieldbuses like PROFINET, PROFIBUS DP and CANopen

# MD810 features and functions

MD810 is a multidrive system for induction and PMS motors.

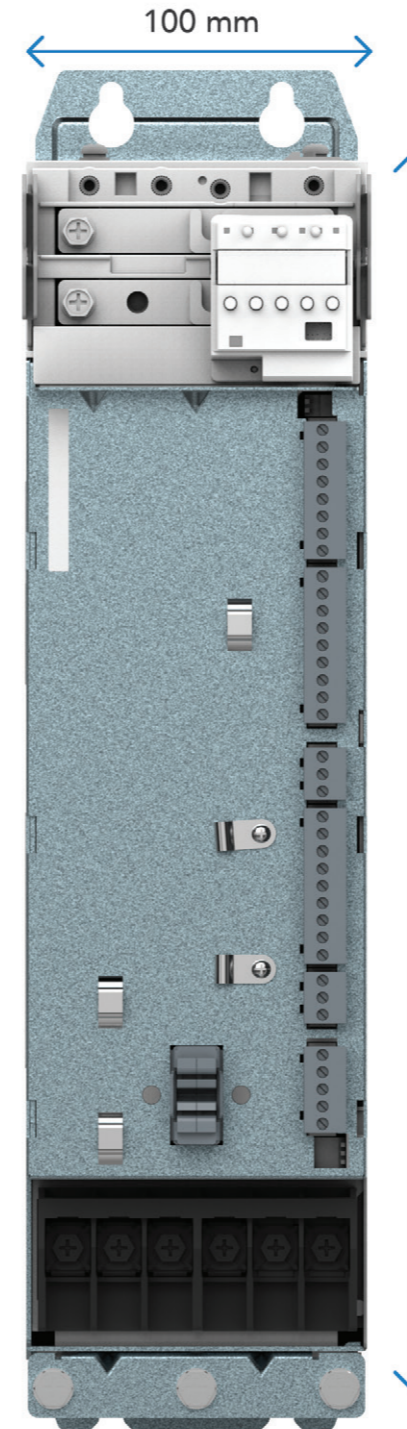
- Control modes:
  - V/f for open loop induction motors
  - SVC for open loop induction and PMS motors
  - FVC for closed loop induction and PMS motors
- Capacity range: 1.5-160 kW (1.5-18.5 kW for dual drive “2 in 1” modules)
- 3 ph 380-480 VAC voltage supply range
- TN and TT supply
- 24 V auxiliary control supply
- Maximum output frequency 500 Hz
- IP20 (IP00 for 355 kW power supply)
- Built-in dynamic brake (for 22 & 45 kW rectifiers)
- Built-in English language LED keypad
  - Optional remote keypad with 8 GB SD card
  - Only one keypad needed for multiple drives
  - Parameter copying capability
- Static and dynamic autotuning
- Second PID control for external devices

**Size 1 dual drive module**  
- front covers removed



**Size 1 dual ratings available:**  
1.5, 2.2, 3.7 & 5.5 kW

**Size 2 dual drive module**  
- front covers removed



**Size 2 dual ratings available:**  
7.5, 11, 15 & 18.5 kW

- Range of peer to peer control modes:
  - Speed/position control
  - Load distribution control
  - Droop control
  - Tension control
- Center winder/unwinder functionality
- Textile wobble control included as standard
- Communication protocols:
  - Modbus-RTU
  - CANopen
  - CANlink
  - PROFIBUS DP
  - PROFIBUS DP-to-CANopen gateway
  - PROFINET-to-CANopen gateway
- PSU unit available from 22 to 355 kW
- Switching frequency up to 12 kHz
- Safe Torque Off (STO) SIL3 (EN 61800-5-2)
- Feedback technologies supported:
  - Resolver
  - ABZ incremental encoders
  - 23 bit serial encoder – unique proprietary Inovance product

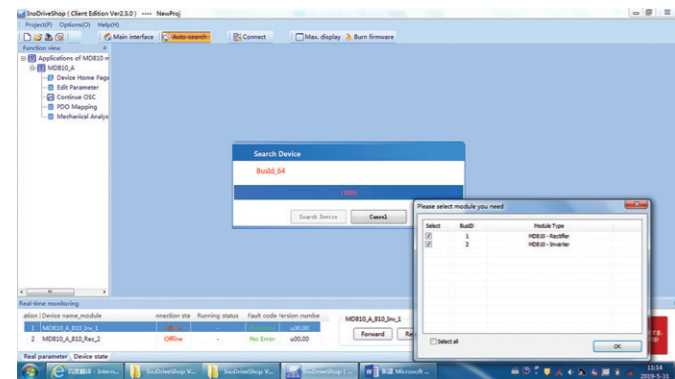


Please note: UL certification only applies to single-drive models

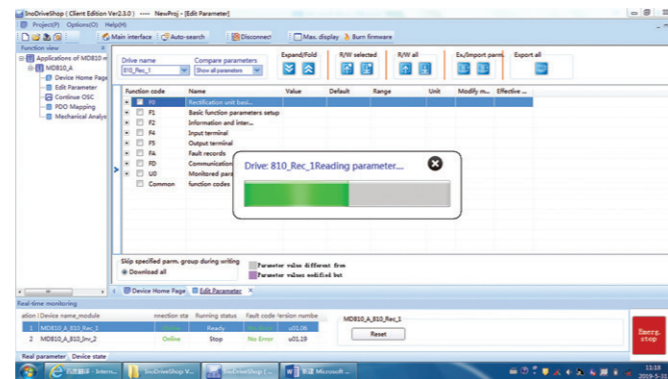
# PC software tools

InoDriveShop

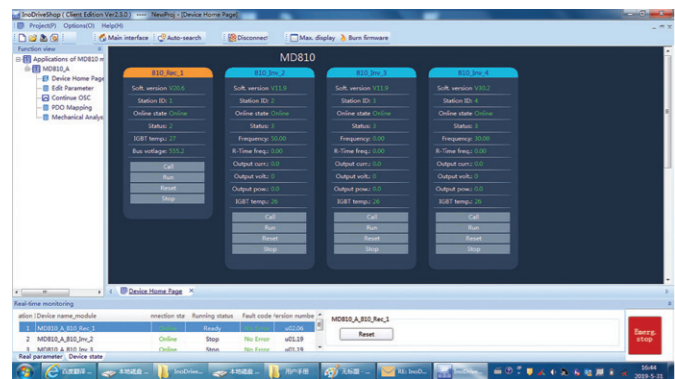
InoDriveShop is Inovance's PC-based software offering. It is based on a familiar Windows™ interface. InoDriveShop can upload and download drive parameters, and features a variety of other functions, such as a real-time oscilloscope.



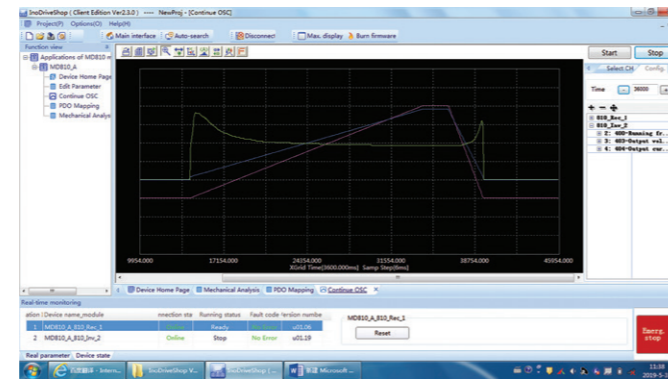
One key module scanning



Parameter uploading/downloading in batches



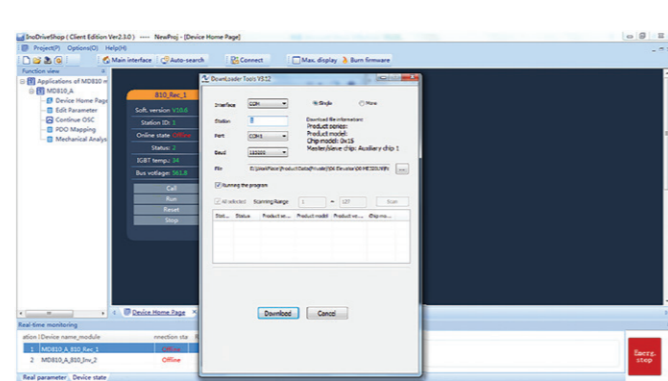
Visualisation of modules' status



Multi-drive, multi channel oscilloscope

1	2	3	
2	Commissioned by: Tester		
3	Contact info.: <a href="http://www.inovance.com.cn">www.inovance.com.cn</a>		
4	Customer name: User		
5	Remarks: First testing		
6	Device info.: MD810 Testing Platform		
7	Module info.: MD810_A_S10_Inv_1 MD810_A_S10_Rec_2		
8			
9			
10	Time:	Record type	Module device Information
11	2019-5-31 11:41	Initial record	

Commissioning record



Online software upgrade

✓ PROFIBUS DP communication settings can also be checked and configured

# MD810 technical data

Product ordering code

# INOVANCE

MD810 - 20M 4T 45 G 1 0 0

① ② ③ ④ ⑤ ⑥ ⑦ ⑧

- ① AC drive series
- ② **Module type:**  
20M: rectifier  
50M: drive
- ③ **Voltage supply:**  
4T: 380-480 V
- ④ **Rectifier (rated power):**  
22: 22 kW  
45: 45 kW  
110: 110 kW  
160: 160 kW  
355: 355 kW
- ⑤ **Model**  
G: general model
- ⑥ **Optional functional component**  
**Rectifier:**  
0: without built-in brake  
1: with built-in brake (22 & 45 kW only)  
**Drive:**  
2: built-in differential PG card  
3: built-in 23 bit absolute PG card  
4: built-in resolver + frequency division card
- ⑦ **Optional communication component**  
**Rectifier:**  
0: built-in RS485 (Modbus-RTU), CANopen and CANlink communications  
1: built-in CANopen, CANlink, PROFIBUS-DP and PROFIBUS DP gateway to CANopen communications  
2: built-in RS485 (Modbus-RTU), CANopen, CANlink and PROFINET gateway to CANopen communications  
**Drive:**  
0: built-in RS485 (Modbus-RTU), CANopen and CANlink communications  
1: built-in CANopen, CANlink and PROFIBUS-DP communications
- ⑧ **Optional features**  
**Drive:**  
0: no optional features  
1: built-in STO (pending for drives of 90 kW and above)  
**Rectifier:**  
0: no optional features available

## MD810 Ratings Single drives

Drive unit model	Rated power (kW)	Input DC current (A)	Output AC current (A)
537-679 VDC (working range: 350-800 VDC) Output voltage: 0-480 VAC			
MD810-50M4T1.5GXXX	1.5	4.9	3.8
MD810-50M4T2.2GXXX	2.2	7	5.1
MD810-50M4T3.7GXXX	3.7	12	9
MD810-50M4T5.5GXXX	5.5	17	13
MD810-50M4T7.5GXXX	7.5	22	17
MD810-50M4T11GXXX	11	31	25
MD810-50M4T15GXXX	15	40	32
MD810-50M4T18.5GXXX	18.5	46	37
MD810-50M4T22GXXX	22	55	45
MD810-50M4T30GXXX	30	73	60
MD810-50M4T37GXXX	37	90	75
MD810-50M4T45GXXX	45	105	91
MD810-50M4T55GXXX	55	129	112
MD810-50M4T75GXXX	75	172	150
MD810-50M4T90GXXX	90	294	184
MD810-50M4T110GXXX	110	358	224
MD810-50M4T132GXXX	132	420	262
MD810-50M4T160GXXX	160	474	296

## Dual drives

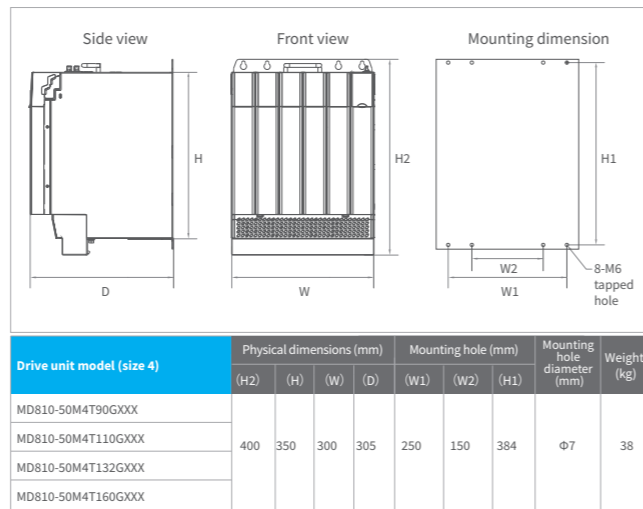
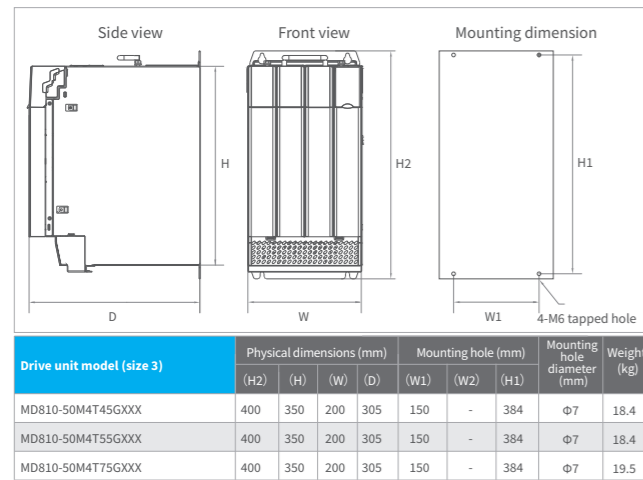
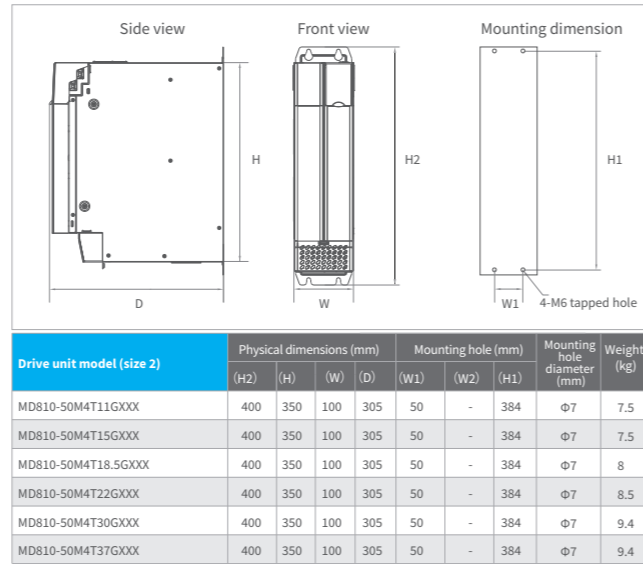
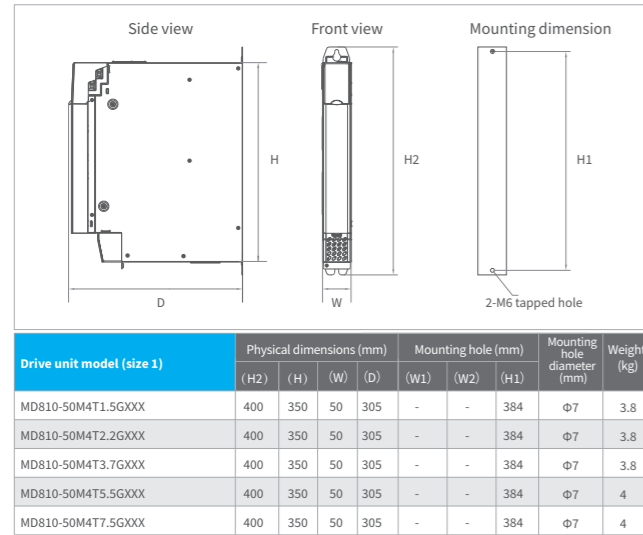
Drive unit model	Rated power (kW)	Input DC current (A)	Output AC current (A)
537-679 VDC (working range: 350-800 VDC) Output voltage: 0-480 VAC			
MD810-50M4TD1.5GXXX	1.5	10	3.8
MD810-50M4TD2.2GXXX	2.2	14	5.1
MD810-50M4TD3.7GXXX	3.7	24	9
MD810-50M4TD5.5GXXX	5.5	34	13
MD810-50M4TD7.5GXXX	7.5	44	17
MD810-50M4TD11GXXX	11	62	25
MD810-50M4TD15GXXX	15	80	32
MD810-50M4TD18.5GXXX	18.5	92	37

## Rectifiers

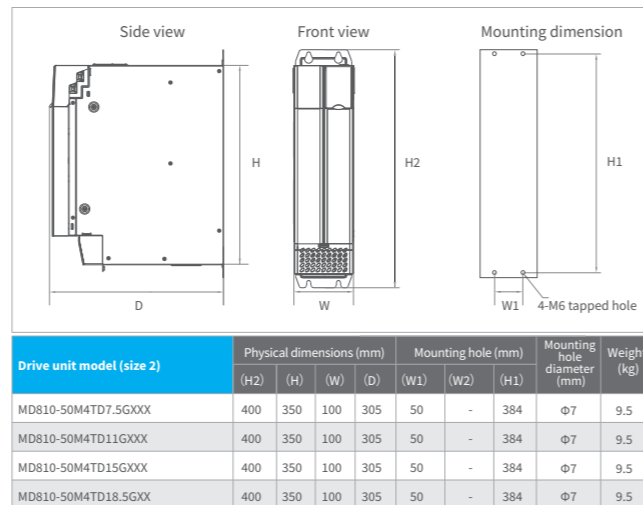
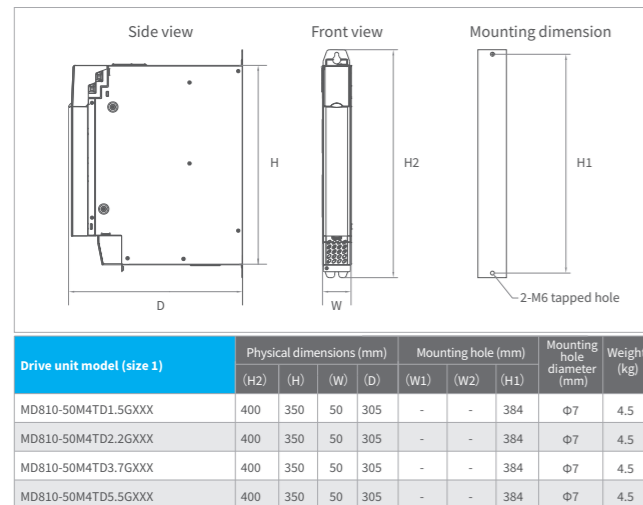
Rectifier unit model	Rated power (kW)	Input AC current (A)	Output DC current (A)	Braking unit
380-480 VAC (working range: 323-528 VAC) Output voltage: 537-679 VDC				
MD810-20M4T22GXXX	22	59	56	Built-in
MD810-20M4T45GXXX	45	112	110	Built-in
MD810-20M4T110GXXX	110	196	240	MDBUN-60-(5)T*2
MD810-20M4T160GXXX	160	292	358	MDBUN-90-(5)T*2
MD810-20M4T355GXXX	355	619	759	MDBUN-200-C/B*3

# Overview of MD810 series AC drives

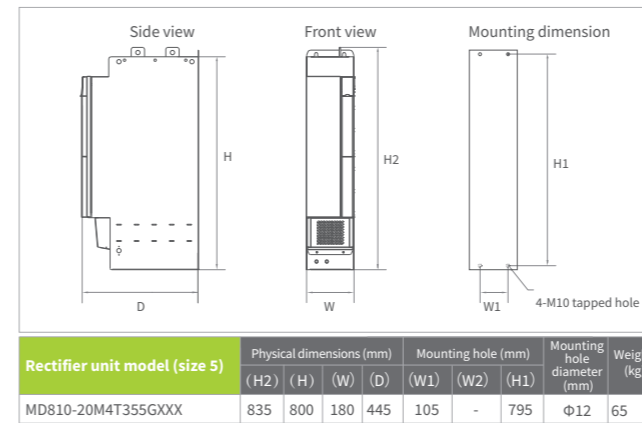
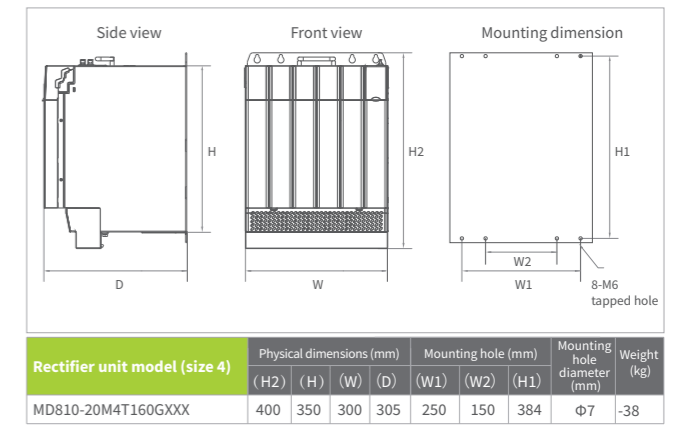
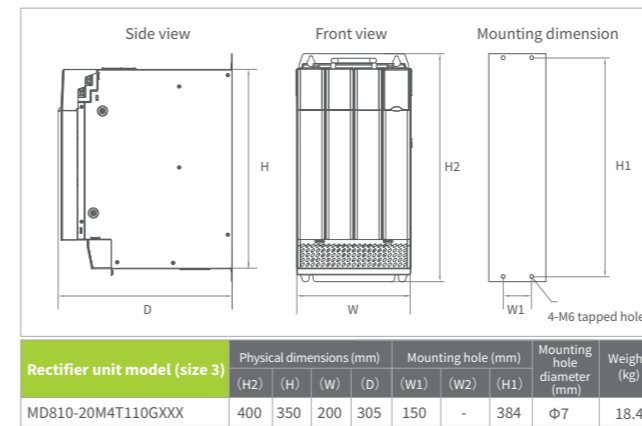
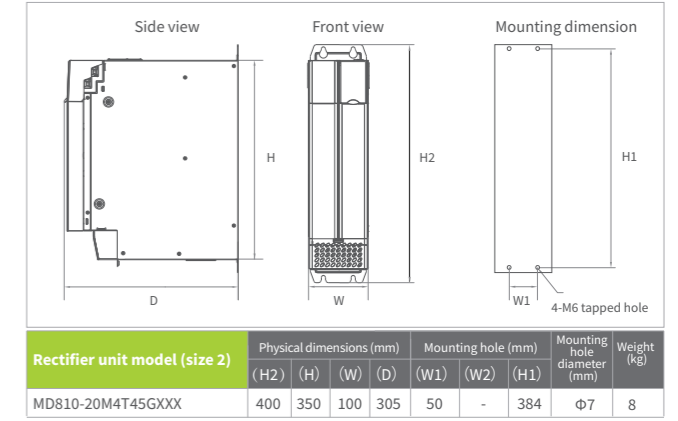
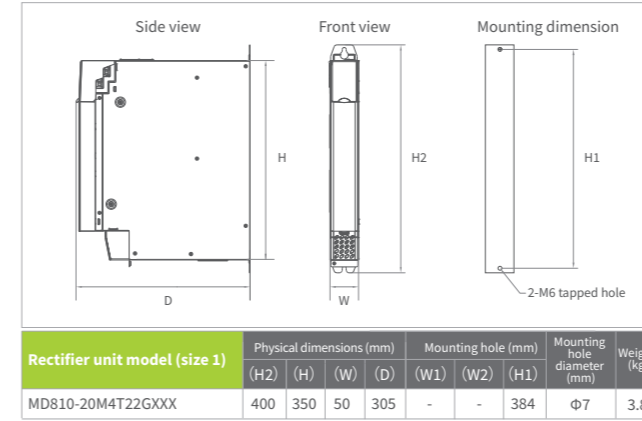
## Dimensions of single drive units



## Dimensions of dual drive units



## Dimensions of rectifier units



## MD810 accessories

Applicable model	MD810 accessory	
	Type code	Description
Size 1 (W: 50 mm)	MD810-AZJ50M-W1	Through-hole mounting brackets for PSU and Drives
Size 2 (W: 100 mm)	MD810-AZJ50M-W2	
Size 3 (W: 200 mm)	MD810-AZJ50M-W3	
Size 4 (W: 300 mm)	MD810-AZJ50M-W4	Cable support bracket for PSU and Drives
Size 1 (W: 50 mm)	MD810-PBJ50M-W1	
Size 2 (W: 100 mm)	MD810-PBJ50M-W2	
Size 3 (W: 200 mm)	MD810-PBJ50M-W3	Air guide plate for PSU and Drives
Size 4 (W: 300 mm)	MD810-PBJ50M-W4	
Size 1 (W: 50 mm)	MD810-DLB-W1	
Size 2 (W: 100 mm)	MD810-DLB-W2	Additional DC bus terminals for PSU and Drives
Size 3 (W: 200 mm)	MD810-DLB-W3	
Size 4 (W: 300 mm)	MD810-DLB-W4	
PSU (sizes 1-2), Drives (size 1)	MD810-CON1	Communication (Modbus-RTU, CANopen) cable (RJ45 connectors) between modules
PSU (sizes 3-4), Drives (sizes 2-4)	MD810-CON2	
Size 1 (W: 50 mm)	C45590-GNCN-C2500024	Soft-charging unit for drive modules (single: 1.5-7.5 kW, dual: 1.5-5.5 kW)
Size 2 (W: 100 mm)	C45590-GNCN-C2500025	
Size 3 (W: 200 mm)	C45590-GNCN-C2500035	
Size 4 (W: 300 mm)	C45590-GNCN-C2500055	
Size 5 (355 kW PSU)	C45590-GNCN-C2500080	
Single: 1.5-7.5 kW, Dual: 1.5-5.5 kW	INOV-SU-30	Soft-charging unit is not available.
Single: 11-22 kW, Dual: 7.5-11 kW	INOV-SU-60	
Single: 30-37 kW, Dual: 15-18.5 kW	INOV-SU-100	
Single: 45-75 kW	INOV-SU-170	Remote LCD keypad (including 3 m cable)
Single: 90-160 kW	-	
All	SOP-20-810	Remote LCD keypad spare cable (3 m)
All	C45590-GNCN-C25003	
All	SOP-20-MP-IP20	LCD keypad mounting base for installation on cabinet door

# Driven by Technology

AC Drives



AC MultiDrives



MV Drives



Single-Axis Servos



Multi-Axes Servos



Robotics & Motion Controllers



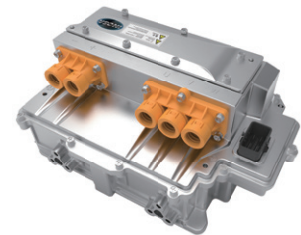
PLCs & HMIs



CNC Machine Tool Solutions







Electric Vehicle Inverters






## INOVANCE

Forward, Always Progressing

### International Offices

- 
**Germany-Stuttgart**  
 Tel: +49 (0) 7144 8990  
 sales.de@inovance.eu  
 www.inovance.eu
- 
**Italy-Milano**  
 Tel: +39 (0) 2268 22318  
 sales.it@inovance.eu
- 
**France-Bordeaux**  
 Tel: +33 (0) 5594 01050  
 sales.fr@inovance.eu
- 
**Turkey-Istanbul**  
 Tel: +90 (0) 21 6706 1789  
 info.turkey@inova-automation.com

- 
**India**  
 Head Office Chennai  
 Tel: +91 (0) 44 4380 0201  
 Ahmedabad  
 Tel: +91 (0) 79 4003 4274  
 Mumbai Tel: +91 (0) 22 4971 5883  
 Delhi Tel: +91 (0) 11 4165 4524  
 Sales Network in Kolkata, Bengaluru,  
 Coimbatore, Hyderabad, Pune  
 info.inovaindia@inova-automation.com
- 
**South Korea-Seoul**  
 Tel: +82 (0) 10 7428 5732  
 info@inova-automation.com
- 
**Hong Kong SAR**  
 Tel: +852 2751 6080  
 info@inova-automation.com

**Inovance Technology Companies**  
 Shenzhen Inovance Technology Co. Ltd.  
 Suzhou Inovance Technology Co. Ltd.

For other country distributors, contact the Hong Kong office.

**INOVANCE**  
 Forward, Always Progressing

Inovance Technology  
[www.inovance.com](http://www.inovance.com)

**INOVA**  
 automation  
 by INOVANCE